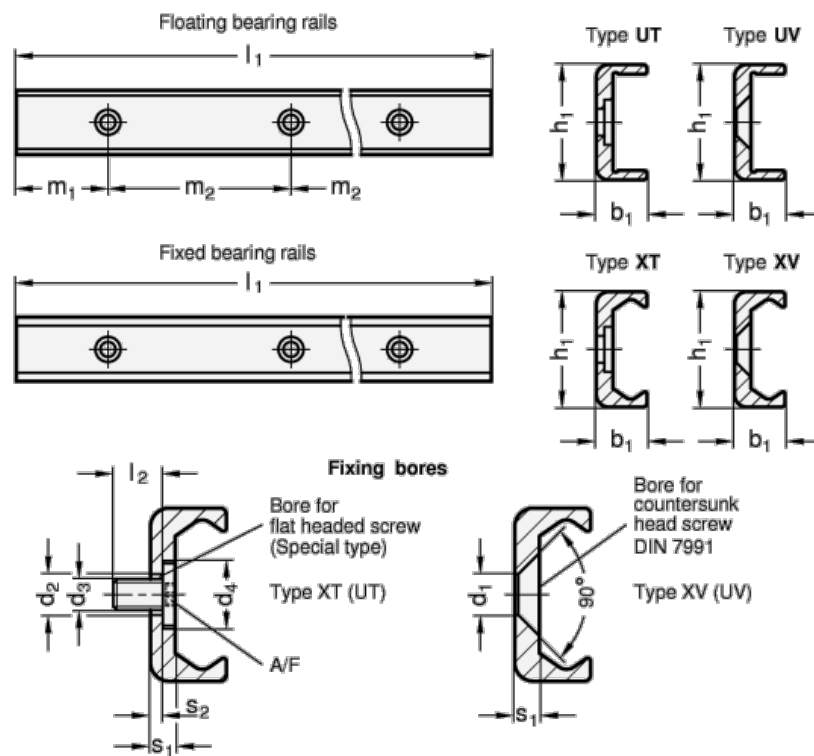


Article number: 2024221880040UV

Description: E+G Compact Profile GN 2422-18-800-40

Measures



A/F =	L2	=
b1 = 8.3	m1	= 40
d1 = 4.5	m2	= 80
d2 =	s1	= 2.8
d3 =	s2	=
d4 =	Weight in (g)	= 440
h1 = 18		
L1 = 800		